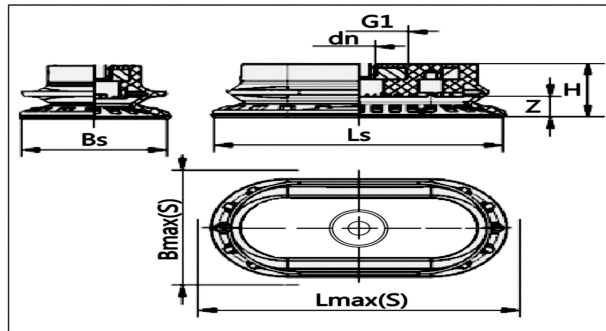


## GSAOB Series – Oval Suction Cup Dimensional Data (Unit: mm)



Model	G1	dn	Bs	Ls	Z	H	Bmax (S)	Lmax (S)
GSAOB-60x30	G1/8	5.5	30.6	60.6	7	20	33	63
GSAOB-80x40	G1/8	6	40.6	80.6	9	25	43	83
GSAOB-100x50	G1/4	6	50.6	98.6	9	25	53	101.6
GSAOB-110x55	G1/4	8	55.1	110.1	12	25	59	114
GSAOB-140x70	G1/4	8	70.6	140.6	12	25	75	145