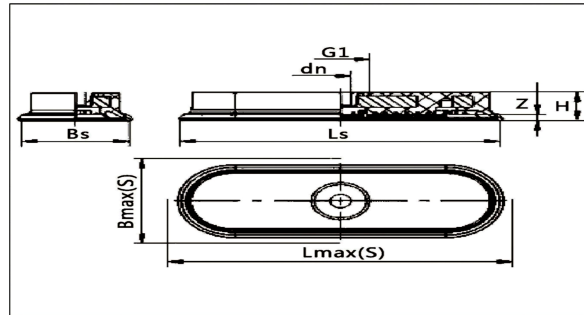


GSAOF Series – Oval Suction Cup Dimensional Data (Unit: mm)



Model	G1	dn	Bs	Ls	Z	H	Bmax (S)	Lmax (S)
GSAOF-50x16	G1/8	5	14.6	48.6	3	20	18	52
GSAOF-60x23	G1/8	5	21.6	60.6	3	12	25	64
GSAOF-80x40	G1/8	5	38.6	90.6	4	13	43	85
GSAOF-90x30	G1/8	5	30.6	90.6	3	13	34	94
GSAOF-100x50	G1/4	5	48.1	101.1	5	16	54	106
GSAOF-120x60	G1/4	6	57.6	121.6	6	17	65	128
GSAOF-140x70	G1/4	6	67.6	140.6	6	17	76	149